

The height adjustable desk frames are specifically designed for use in ergonomic desks and work tables. It provides you with full movability: Create your furniture design in classic, elegant or high-tech style! All our products being test for over 20,000 times to make sure it being built safely and durable. Our products offer customers the solutions they require to satisfy their working environment project requirements. The frame is available in 3 classic colour: Black, Whit and Grey.



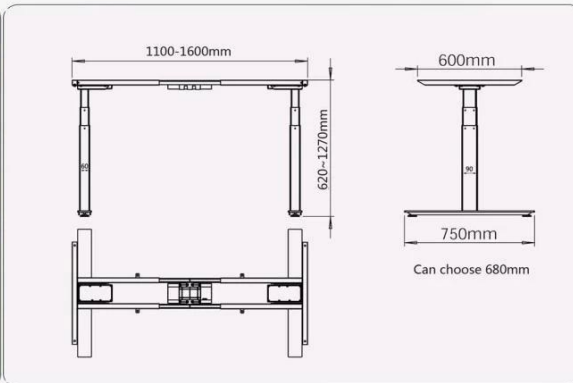
Color available:black,gre,white

### A6 Series Dual-motor Three sections

2 legs / 2 motors  
Super mute motor synchronization control system  
Colours can choose Black, White and silver gray  
Limit Switch inside  
Touch screen memory handset

Lifting range from 620mm-1270mm  
Frame adjust from 1100mm-1600mm  
Load capacity: 120kg / 265IBS  
Full load Speed: 30mm/s

Input Voltage : AC 90V~230V can use  
Output Voltage : DC 24V  
Duty Cycle : Max.10%  
Run into obstacles will stop



Other part:  
Packing Size : 1080\*270\*325mm  
Gross Weight : 40KG

