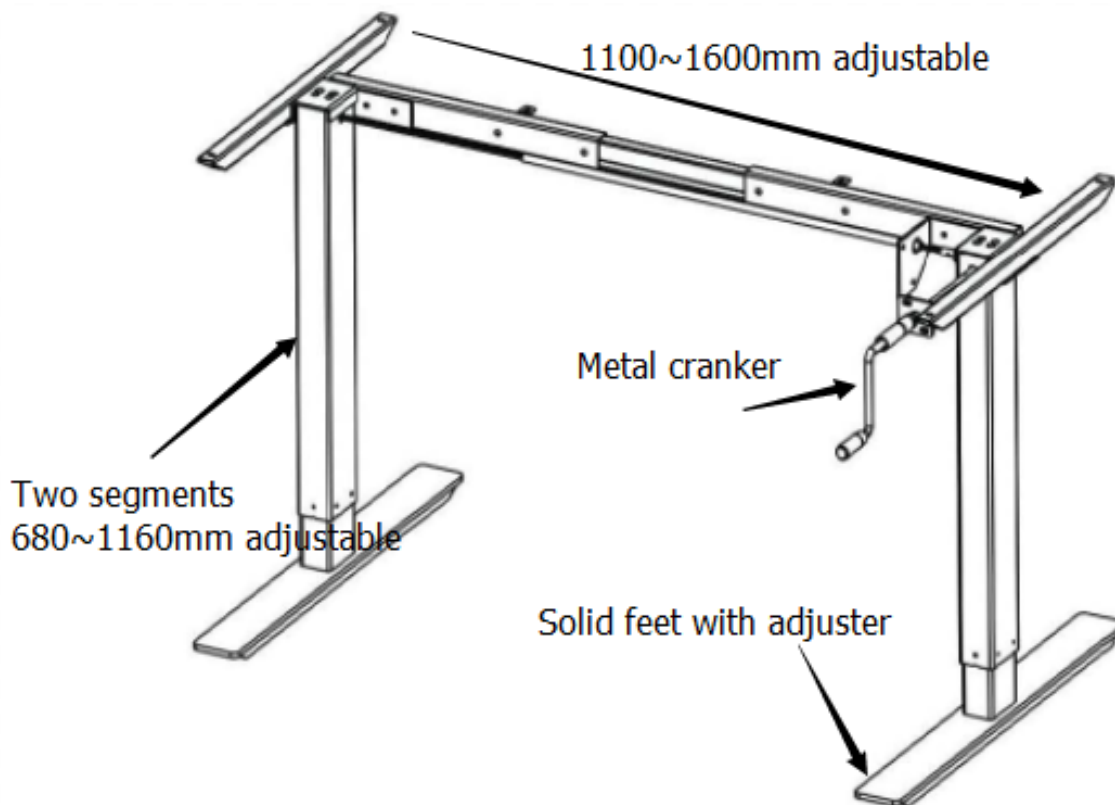


## Hand crank height adjustable standing desk frame



### Product Description

Product Name	Hand crank Height Adjustable Standing Desk
Dynamic Load (KG)	100
Operating Speed (mm/s)	5mm per turn
Lift Range From	680mm-1160mm
Adjustable Frame	1100-1600mm or option
Feet length	750mm
Tube Material	Powder Painted Steel Tube
Certificate	CE, UL
Warranty	3 years
Gross Weight	31 KG
Color	Black, White, Gray or option

### Photo of adjustable



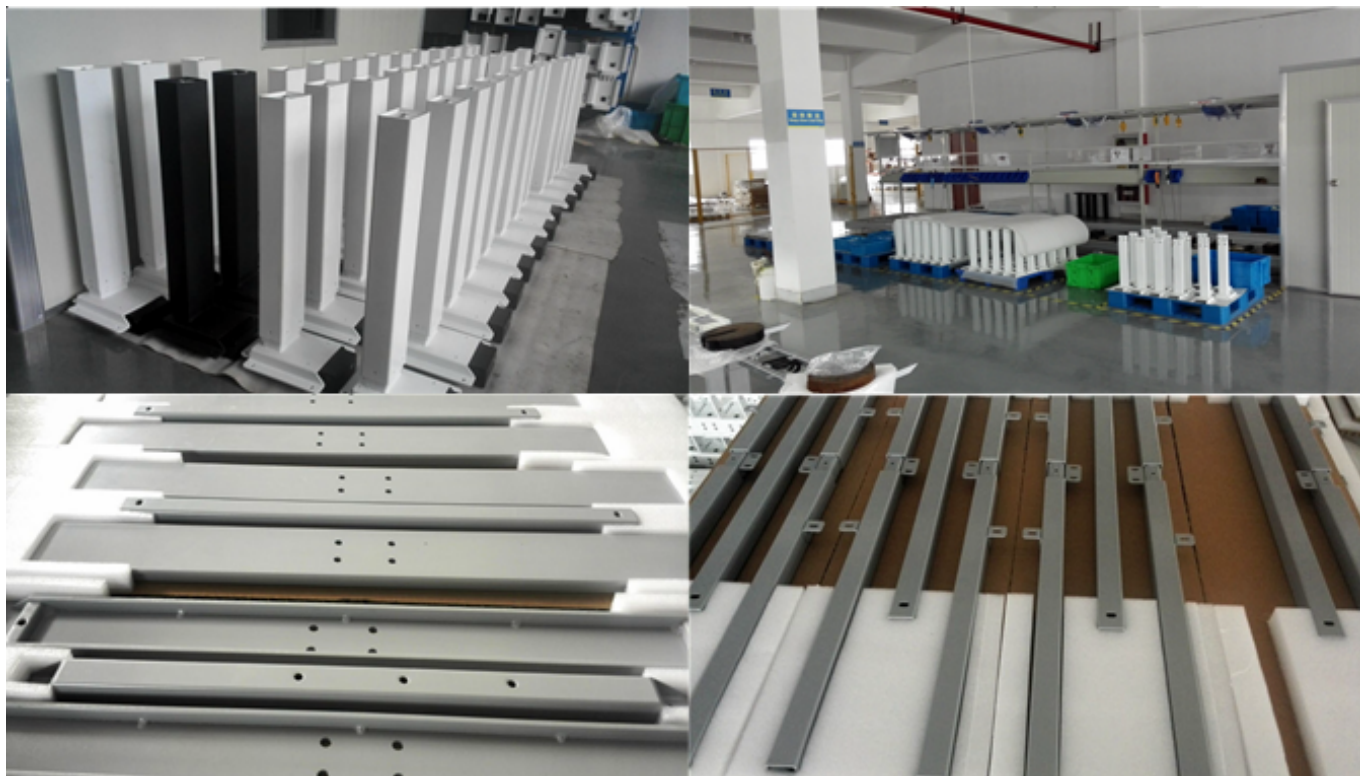


## Advanced Features

1. Silent and smooth for adjustable range;
2. Anti-collision function to prevent accidental damage;
3. Ease and effortless by sync electric system;
4. Flexible and customized choice for every customer;
5. Wide range of products, electric, manual crank;
6. Over 10,000 times test to ensure it being built safely and durable;
7. 100% re-inspect before packing, double check with quality.

### **Workshop**

## The parts of adjustable desk



## **Packaging & Shipping**

### **Delivery details:**

Shipped in 14 workingdays after payment. Samples within 3 workingdays

### **Package details:**

One set in one carton

The carton size is 1080 x 270 x325 mm



**Contact Us**

Any questions please don't hesitate to contact me, Jack is at your service within 24 hours

Email: [sales4@houdry.com.cn](mailto:sales4@houdry.com.cn)

Tel: +86-512-66212961

Phone: +86-18362708125

Whatsapp: +86-18362708125

Trade Manager: cn1511993371