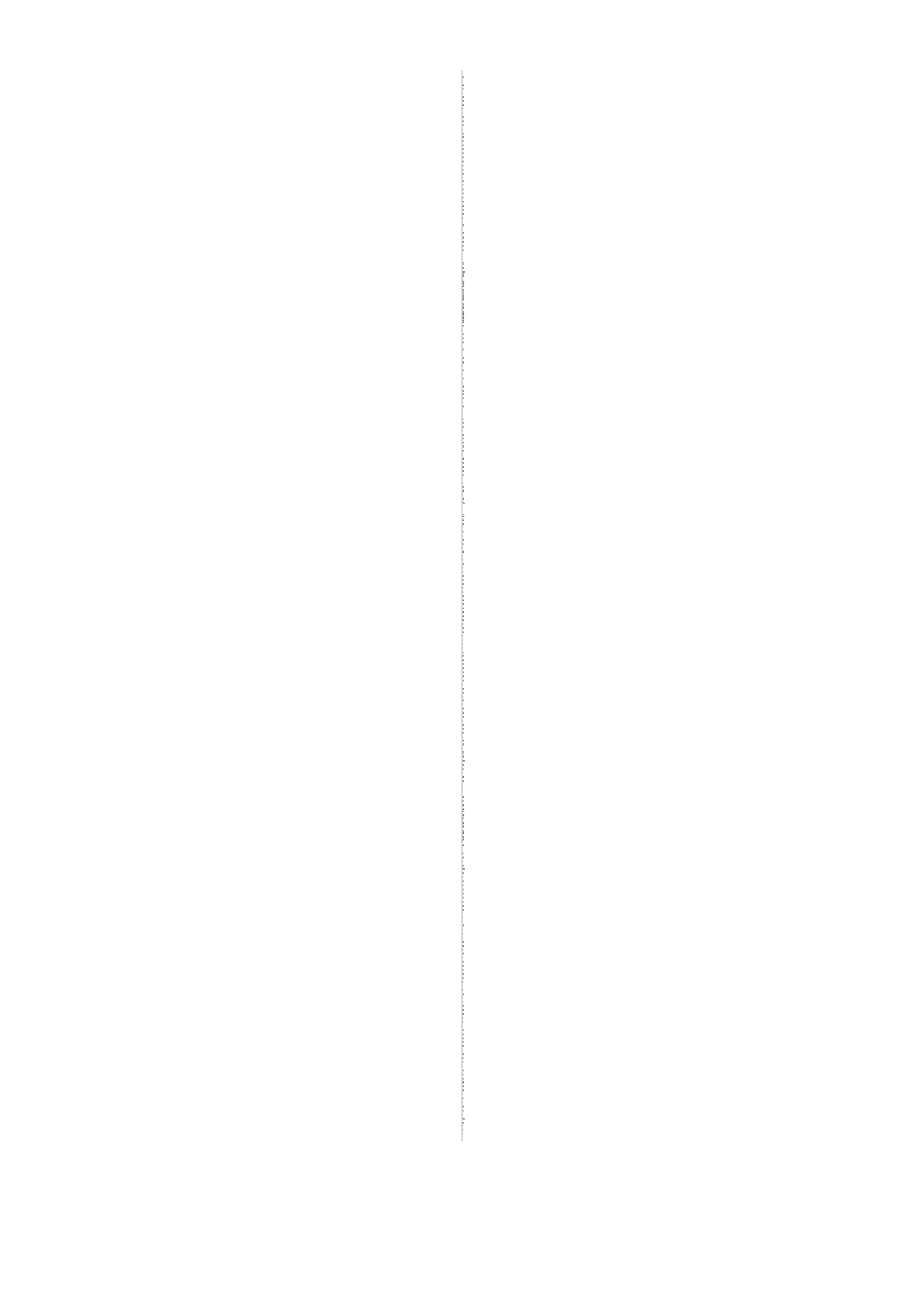
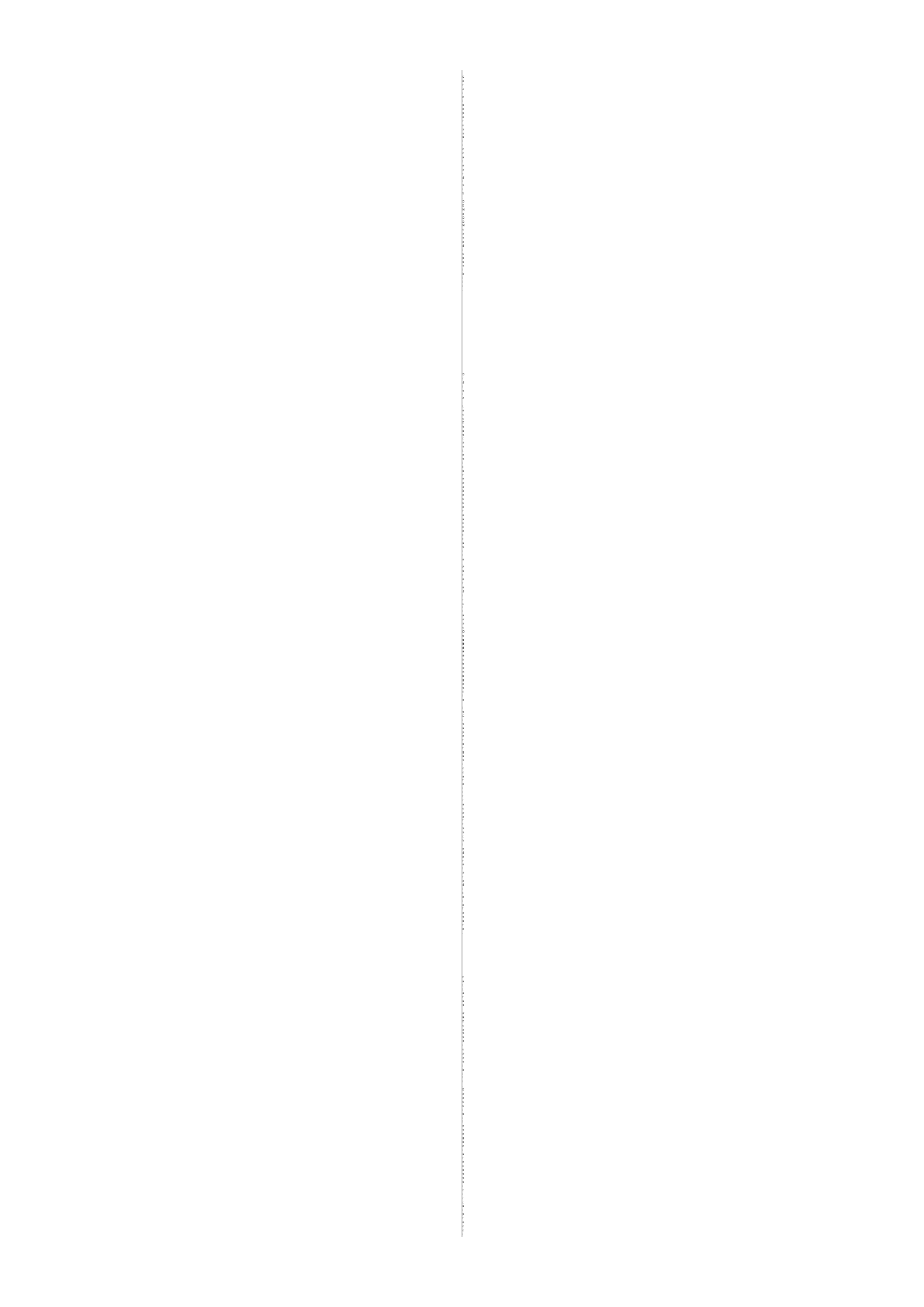


## Scrivanie regolabili per piedi e seduti







In piedi immagine scrivania:



## A6 Series

- Perfect the details of the design
- Limit switch in the columns and different controlner
- Exclusive patent design for details
- More convenient to tear open outfit
- Capacitive Touch screen memory handset, Apple LCD

## A6 Series Dual-motor Three sections

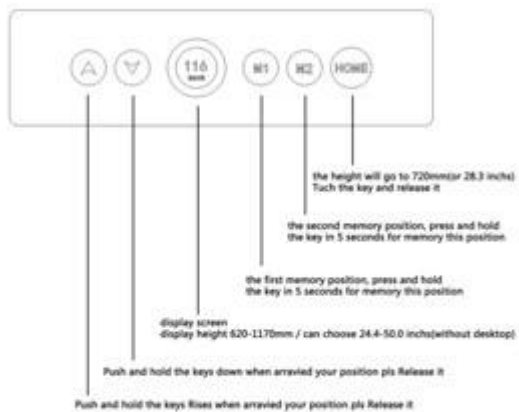
2 legs / 2 motors  
 Super mute motor synchronization control system  
 Colours can choose Black, White and silver gray  
 Limit Switch inside  
 Touch screen memory handset

Lifting range from 620mm-1270mm  
 Frame adjust from 1100mm-1600mm  
 Load capacity: 120kg / 265IBS  
 Full load Speed: 30mm/s

Input Voltage : AC 90V~230V can use  
 Output Voltage : DC 24V  
 Duty Cycle : Max.10%  
 Run into obstacles will stop



## Ergo Zero Console Instruction

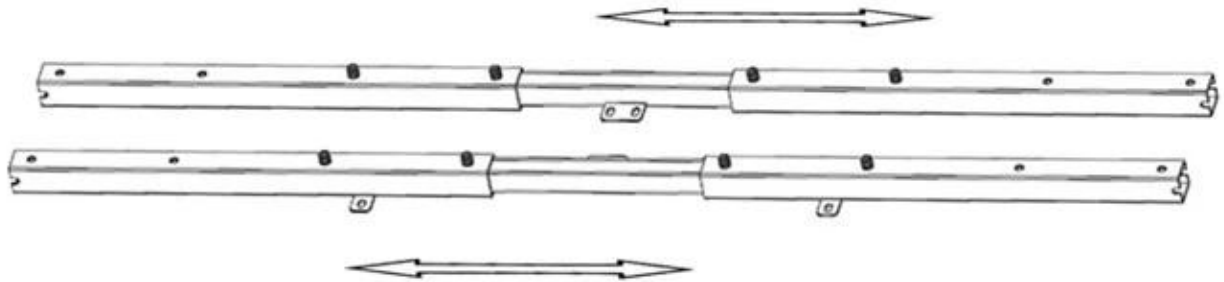


### Mode of operation

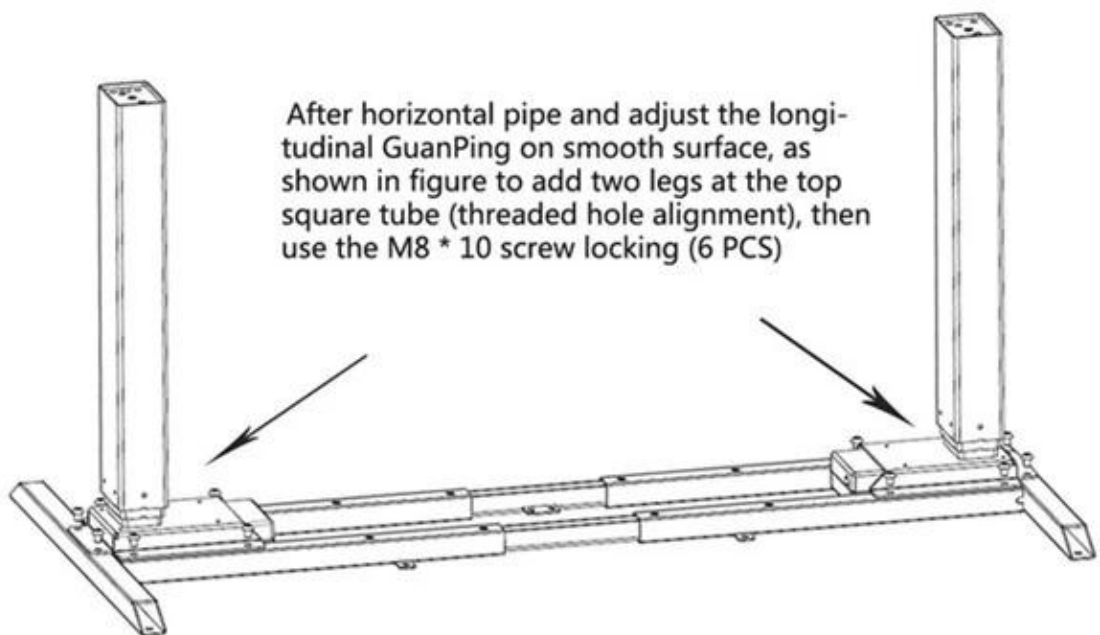
- Lightly touch up/down button and hold the key to rise and low the desk height
- Press HOME button quickly release to certain height 720mm(without desktop) to the normal desk height
- MLM2 press and hold the key in 5 seconds, and sounds "B" just memory this position. Press and quickly release will arrange your memory position.
- 30S no touch any button, display screen and all light shut down.
- After display screen shot down into locked, M1/M2/HOME can't use anyway, you should touch up or down first, it can be use when the display screen light.
- Installation method have 2 types, if you want to amount on the desktop, The size of the hole should cut at your left or right.



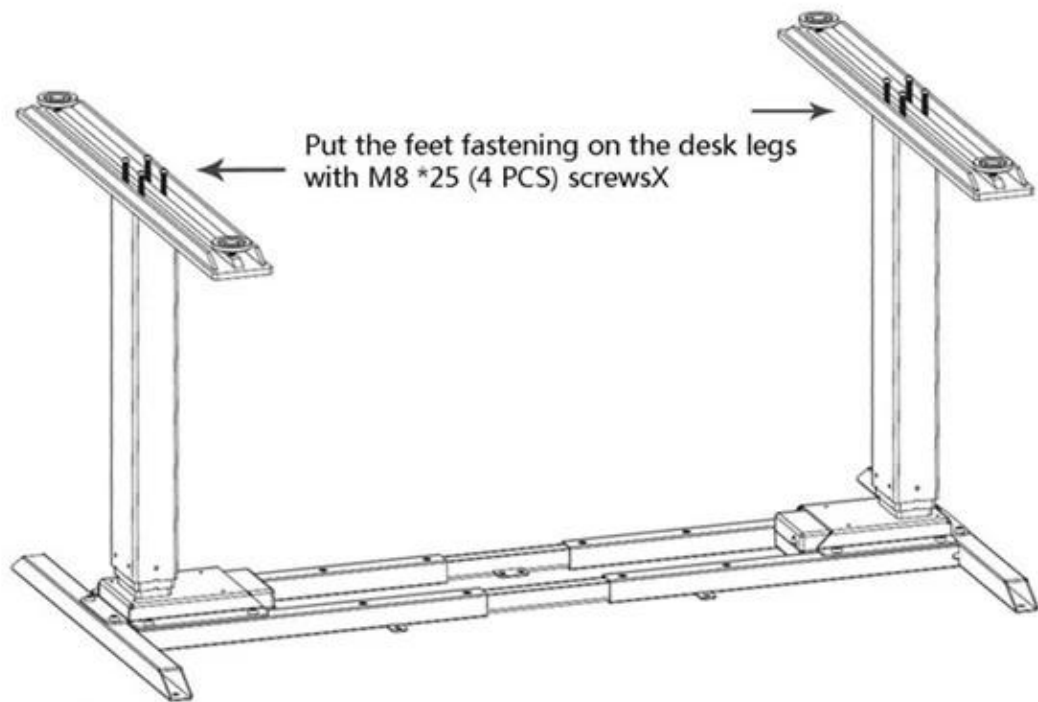
Tuned eight with a socket head screw to the middle hole location as the reference point, need adjust the table frame length is standard, lock screw.



1. According to the demand of the panel adjust the frame length

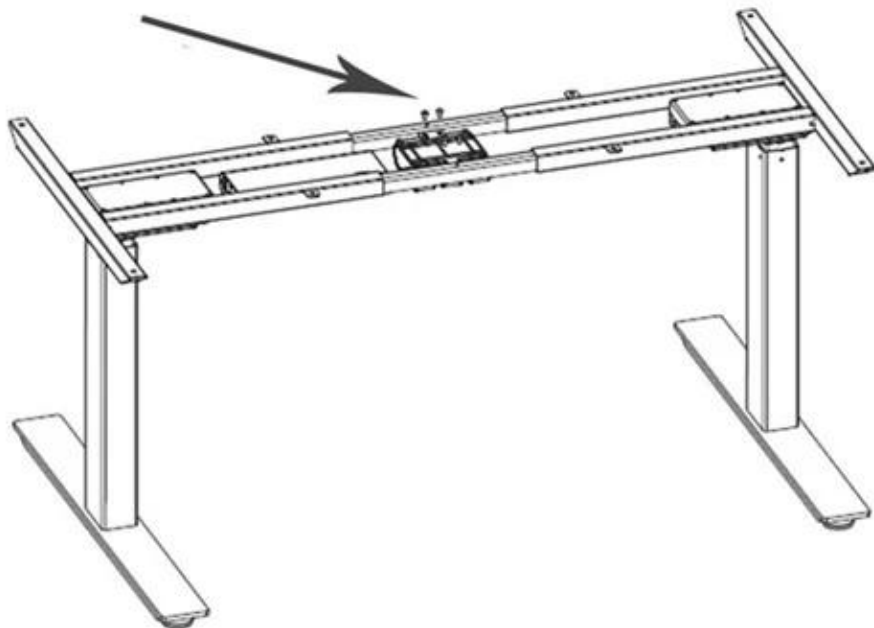


2. Install table legs (2 PCS) and horizontal tube (2 PCS)



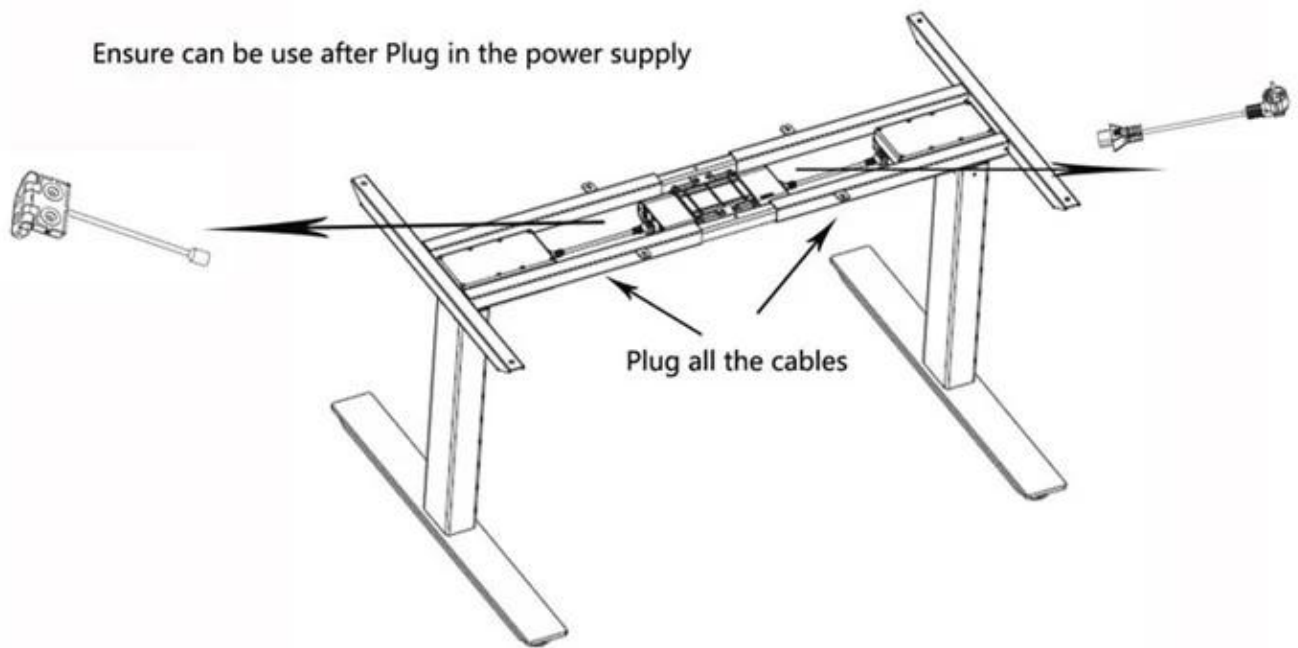
### 3 : Install desk feet(2pcs).

First of all, Installation controller fix with M6 \* 10 screws (4 PCS) , then put controller from one side inserted into the fixed block



### 4 : Installation controller

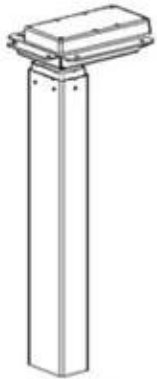
Ensure can be use after Plug in the power supply



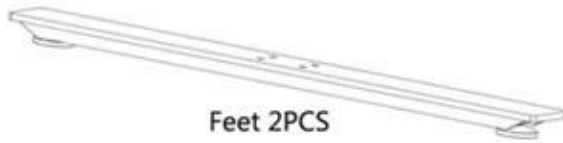
5 : Motor wires ( 2X ) switch wire ( 1X ) power supply wire ( 1X )



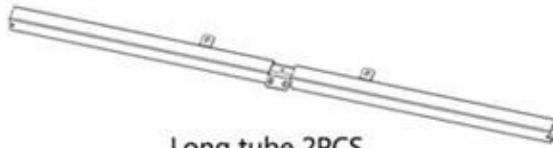




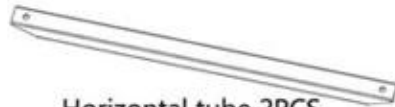
Legs 2PCS



Feet 2PCS



Long tube 2PCS



Horizontal tube 2PCS



Control box 1PCS



M6X10 4PCS



M8X25 8PCS



M8X10 12PCS



Fixed a controller  
1PCS



Motor wires 2PCS



Power connecting 1PCS



Switch 1PCS

**Part drawing**