

Description

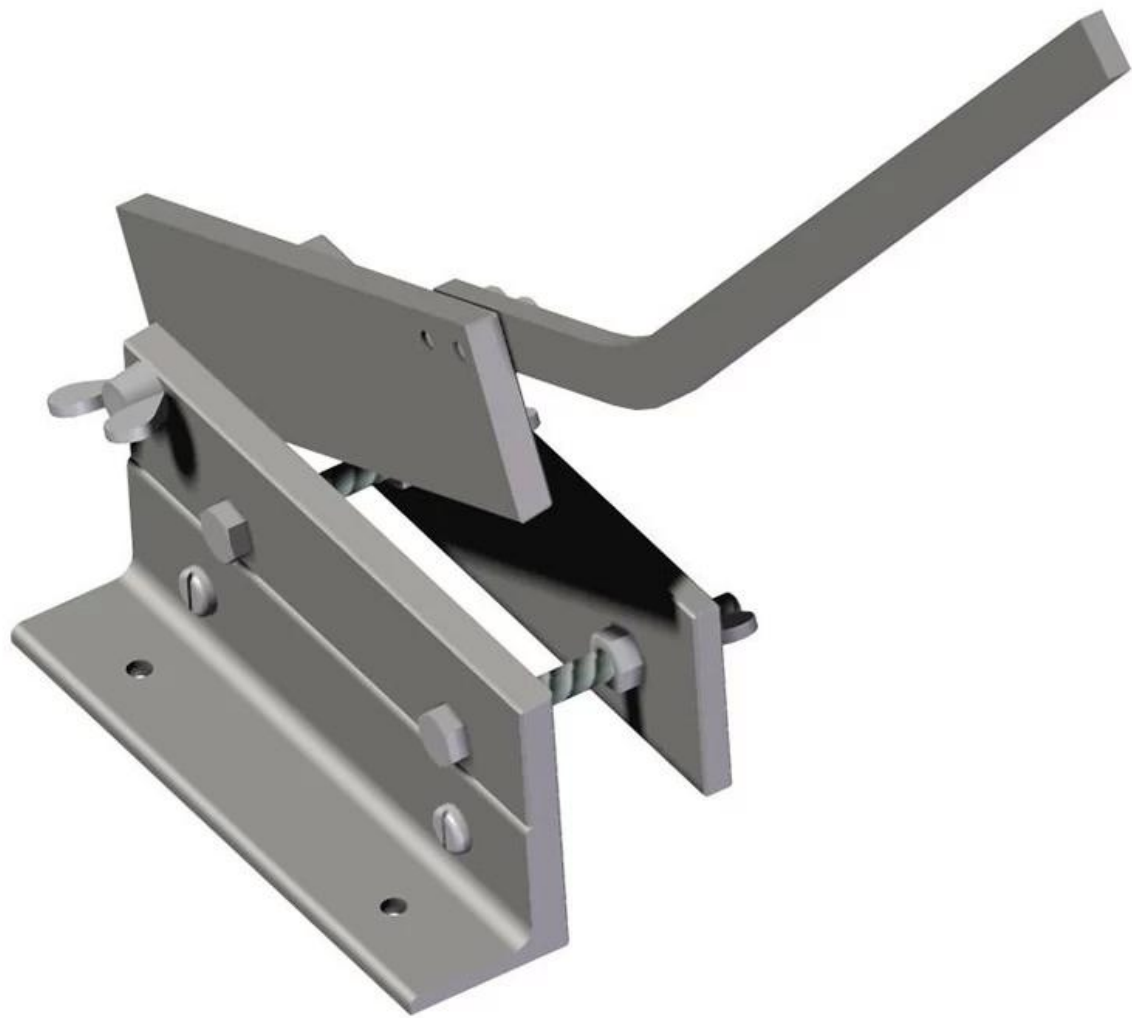
[Customized sheet metal parts](#) laser can realize the drilling process of the burner parts of the gas turbine, and the drilling effect can realize the three-dimensional direction, and the number can reach thousands. Drillable materials include stainless steel, Inconel, and Hastelloy. [China sheet metal stamping parts](#) laser drilling technology is not affected by the mechanical properties of materials, so it is easier to realize automation.

With the development of laser drilling technology, the laser cutting machine has realized automatic operation, and its application in the sheet metal industry has changed the processing method of traditional sheet metal technology, realized unmanned operation, greatly improved production efficiency, and realized the whole process. The automatic operation drives the development of the sheet metal economy, improves the punching effect to a higher level, and the processing effect is impressive

Specifications

Place of Origin	Jiangsu, China (Mainland)
Brand Name	HOUDRY
Model Number	Custom Made
Certificate	ISO9001:2015/SGS
Material	Stainless Steel/Iron/Aluminum
Fabrication Process	Stamping, Bending, Laser Cutting, Welding, Forging, Casting, Maching
Tolerance	±0.1mm
Surface Treatment	Mirror Polishing, Powder Coat, Zinc Plate, Paint, Brushing as per drawing
Service	Custom OEM/ODM sheetmetal fabrication service
Supplier Type	Manufacturer/Fabicator/Factory/Designer
Package	Standard package/individual package for export or as requested
Delivery time	7 - 20 working days or negotiable

More Products







Company Introduction

Suzhou Houdry Mechanical and Electrical Technology Co., Ltd. is a manufacturing factory which engaged in sheet metal fabrication services since 2008. Now our factory covers 12,000 square meters, with 250 employees including 8 senior engineers and 10 quality engineers. Houdry has good cooperative with SIEMENS, AMADA, AMETEK, OERLIKON, etc. Annual value of \$16 million. Houdry can provide various of sheet metal fabrication service, such as sheetmetal stamping parts, laser cutting, cnc machining, welding, bending, forging, casting, etc.and surface treatments such as painting, anodize, power coating, zinc-plating etc.

Our sheet metal fabrication products are widely used in various areas such as cold chain products, net working products, bus air condition unit, invertor metal forming parts and track safety door part.

Our main customers are from overseas markets such as Germany, the United States, the United Kingdom, France, Singapore, and Sweden.



Our Factory

Our company can provide various of sheet metal fabrication service, such as sheetmetal stamping parts, laser cutting, cnc machining, welding, bending, forging, casting, etc.and mirror polishing, powder coat, zinc plate, paint, Brushing as per drawing.



Equipment

We have laser cutting machine, robot welding machine, bending machine, stamping machine, cnc machining centers, milling machine, grinding machine, injection mold machine and so on equipments. Can produce most metal products.



Laser Cutting Machine



Robot Welding Machine



CNC Machine



Bending Machine

Production Process



1. Blank



2. Bending



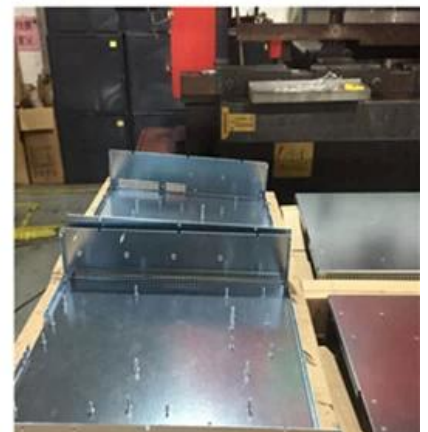
3. Plating



4. Riveting



5. Bending again



6. Forming

Our Package

Standard package/individual package for export or as requested. Sheet metal parts are usually packed in carton box, then packed in plywood pallets or plywood boxes.



FAQ

1. How can I get the quotation?

Please kindly send us the drawing of your product, details below should be included: materials, surface finish, tolerance, quantity. We will provide you with a product quotation within 2 working days! If you don't have a drawing, please send us the sample.

2. Do you provide samples? is it free or extra?

We can provide free sample. However, you have to pay the cost of courier by express like: DHL, TNT, UPS and FEDEX.

3. What is the process to place the order?

A. send us the drawings to get a free quotation.

B. we will make a sample for you to check the quality.

C. batch production will be proceed after sample is qualified and our service is accepted.

4. Do you support product customization?

Yes, all the customized orders are welcomed.

5. The surface treatment type we can handle?

Powder coating, paint, polish, brushed, galvanized, anodized. sand blasting.

6. What is the payment method?

Samples are paid via Paypal and T/T is 100% paid.

Bulk orders: T/T 30% prepaid, the balance should be paid before shipment.

7. Which Shipment way is available?

1. By sea to your nearest port. 2. By air to your nearest airport. 3. By express (DHL, UPS, FEDEX, TNT, EMS) to your door.