

ergonomic  
20,000  
3



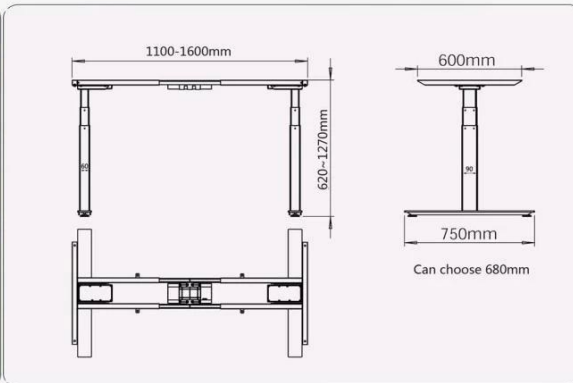
Color available:black,gre,ywhite

### A6 Series Dual-motor Three sections

2 legs / 2 motors  
Super mute motor synchronization control system  
Colours can choose Black,White and silver gray  
Limit Switch inside  
Touch screen memory handset

Lifting range from 620mm-1270mm  
Frame adjust from 1100mm-1600mm  
Load capacity: 120kg / 265IBS  
Full load Speed: 30mm/s

Input Voltage : AC 90V~230V can use  
Output Voltage : DC 24V  
Duty Cycle : Max.10%  
Run into obstacles will stop



Other part:  
Packing Size : 1080\*270\*325mm  
Gross Weight : 40KG

